

# PROTHERO

PROFESSIONAL SOLUTIONS



2019 PRODUCT  
CATALOG





## WELCOME TO PROTHERO PROFESSIONAL SOLUTIONS

Born in June 2015 in the back office of Truck Part Sales Inc., Prothero Professional Solutions has grown to be more than just something on the side. Armed with the ability and the knowledge, we set out to fill a void in the heavy duty industry. We build custom and pre-built solutions for the heavy duty industry. We can build you a wiring harness for your tail light box. We can print you a custom bushing if needed. We also have a library of custom parts we have built for other people that are so popular, they have become regular selling items.

In this catalog you will find our current offering of items we build. If you don't see something you are looking for, please either call us or visit us using the info at the bottom of each page.

## WARRANTY

Prothero Professional Solutions LLC (PPS) warranties their items to the Original Purchaser (1), under normal use and service, to be free from defects of material and/or workmanship only, for One Year from the documented date of purchase, noted on the invoice (2), unless otherwise noted.

During this warranty period, the obligation of PPS is limited to repairing or replacing, as PPS may elect, any part or parts which after examination by PPS, are found to be defective as the result of a defect in material and/or workmanship. PPS will provide warranty for any of their items that are delivered, transported prepaid, to the specified PPS facility of designated authorized warranty service center for examination and such examination reveals a defect in material and/or workmanship. This warranty does not cover travel expenses, the cost of specialized equipment for gaining access to the product, or labor charges for removal and re-installation of the product.

Warranty claims will be approved for credit if it is determined that the cause of defect was due to manufacturing or component deficiency, and not due to abuse, mishandling, improper maintenance or chemical attack outside the normal working environment.





# TABLE OF CONTENTS

**Warranty Info** **PG.2**

**Table of Contents** **PG.3**

**License Top Mount**  
**License Snorkle Mount**  
**License Side Mount**  
**Heavy Duty Zip-Tie** **PG.4**

**4in Tail Light Adapter**  
**6in Oval LED Adapter**  
**Circuit Breaker Cover**  
**Rocker Switch Adapter** **PG.5**

**Mud Slugg Light Holder**  
**Peerless Mud Slugg**  
**Rod End Boot**  
**Button Light Adapters** **PG.6**

**4-Way Plug Protector**  
**7-Way Plug Protector**  
**Lug Nut Cover Adapter**  
**WATT Box** **PG.7**

**Electrical Bulkhead Fitting**  
**2 Stud Light Wedge**  
**Headlight Bucket Extensions**  
**Dash Fry** **PG.8**

**Pete 379 Cabin Air Filter**  
**HW Cab Square Stack Mount** **PG.9**  
**HW Cab Diagonal Stack Mount**  
**HW Cab Hood Rest**

**Class 8 Wire Harness:**  
**Modular Lighting System** **PG.10**

**Custom Wiring Harnesses** **PG.11**

**Headlight Bucket Extensions**  
**Product Details** **PG.12**

**WATT Box**  
**Product Details** **PG.13**

**6 Inch Oval LED Adapter**  
**Product Details** **PG.14**

**Mud Slugg**  
**Product Details** **PG.15**

**HW Exhaust Mount Brackets**  
**Product Details** **PG.16**

**Custom 3D Models**  
**and 3D Prints** **PG.17**

**Index** **PG.18**

**Notes** **PG.19**





License Top Mount

PRO-LPH



**Outer Dimension:**

7.87in x 2.13in x 1.33in

**Mounting Holes:**

1/4in

**Requires:**

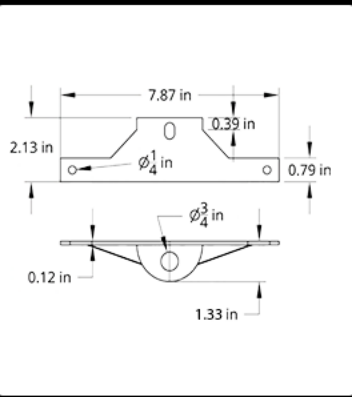
License Plate Mounts

**Material:**

Tensile Polyurethane

**Shore Hardness:**

95A



PRO-LPH-S

License Snorkle Mount



**Outer Dimension:**

2.11in x 2.11in x 1.12in

**Mounting Hole:**

1/4in

**Requires:**

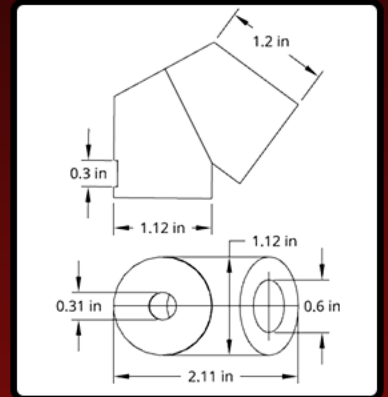
License Plate Mounts

**Material:**

Tensile Polyurethane

**Shore Hardness:**

95A



License Side Mount

PRO-LPH-SM



**Outer Dimension:**

4.29in x 5.5in x 1.33in

**Mounting Holes**

1/4in x 5/8in

**Requires:**

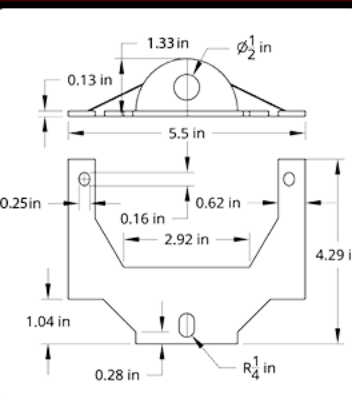
License Plate Mounts

**Material:**

Tensile Polyurethane

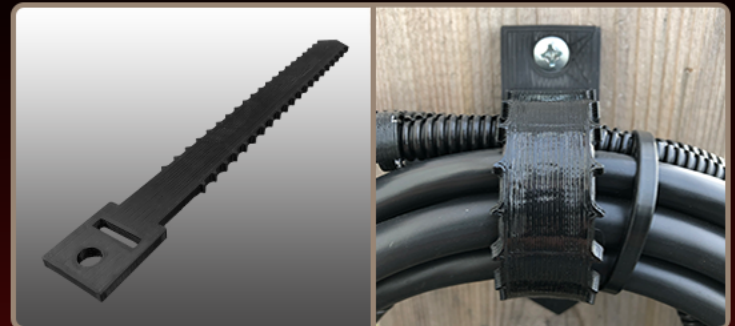
**Shore Hardness:**

95A



PRO-ZIP

Heady Duty Zip-Tie



**Outer Dimension:**

11.02in x 0.79in x 0.2in

**Mounting Hole**

3/8in

**Requires:**

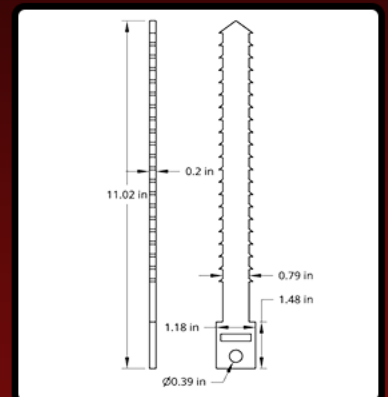
3/8 Mounting Point

**Material:**

Tensile Polyurethane

**Shore Hardness:**

95A







4in Tail Light Adapter

PRO-4LED



**Outer Dimension:**

5.31in x 5.31in x 0.83in

**Inner Dimension:**

3.1in x 3.27in

**Requires:**

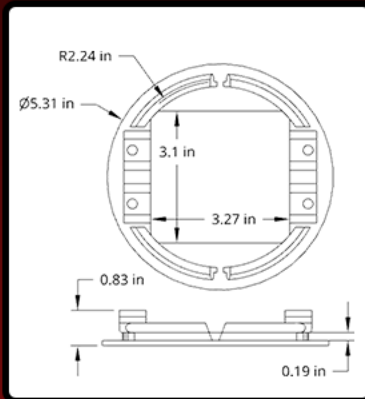
4.5in Mounting Hole

**Material:**

Tensile Polyurethane

**Shore Hardness:**

95A



PRO-6LED

6 in. Oval LED Adapter



**Outer Dimension:**

7.14in x 2.87in x 0.13in

**Inner Dimension:**

6.63in x 2.36in

**Requires:**

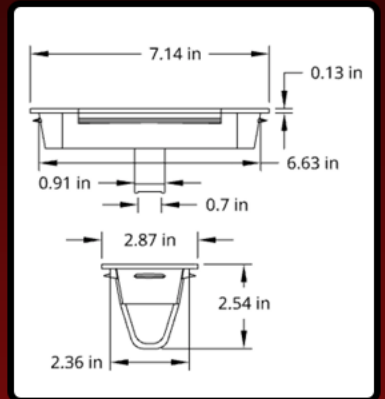
6in Oval Mounting Hole

**Material:**

Tensile Polyurethane

**Shore Hardness:**

95A



Circuit Breaker Cover

PRO-CBC



**Outer Dimension:**

2.64in x 1.38in x 1.02in

**Inner Dimension:**

1.46in x .51in

**Requires:**

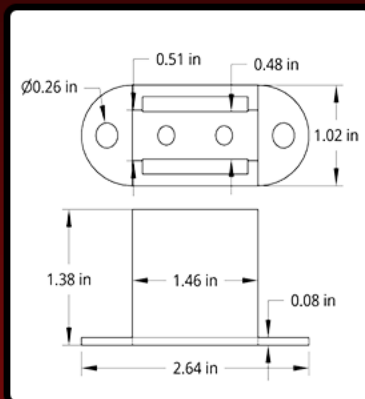
1/4in Mounting Holes

**Material:**

Tensile Polyurethane

**Shore Hardness:**

95A



PRO-RSA

Rocker Switch Adapter



**Outer Dimension:**

2.24in x 2.24in x 0.4in

**Inner Dimension:**

1.38in x 0.83in

**Requires:**

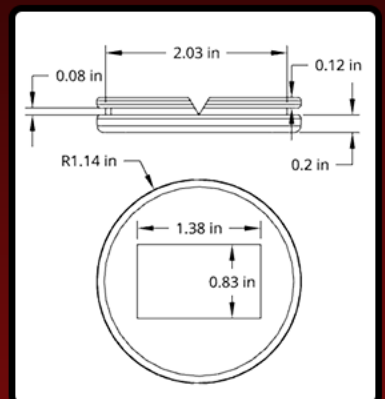
2in Mounting Hole

**Material:**

Tensile Polyurethane

**Shore Hardness:**

95A





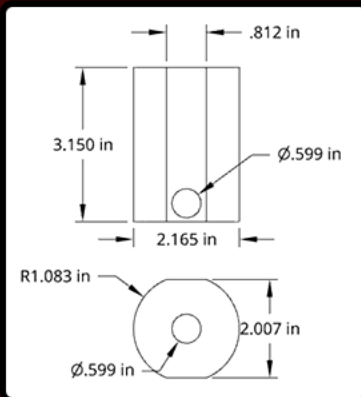


Mud Slugg Light Holder

PRO-MUD



**Outer Dimension:**  
3.15in x 2.165in x 2.01in  
**Inner Dimension:**  
1.75in x 1.75in  
**Requires:**  
Spring Loaded Mud  
Flap Hanger at 3.15in  
**Material:**  
Tensile Polyurethane  
**Shore Hardness:**  
95A

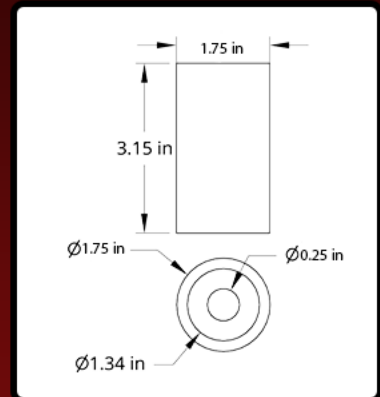


PRO-MUD-P

Peerless Mud Slugg



**Outer Dimension:**  
3.15in x 3.15in x 1.75in  
**Inner Dimension:**  
1.34in x 1.34in  
**Requires:**  
Spring Loaded Mud  
Flap Hanger at 1.75in  
**Material:**  
Tensile Polyurethane  
**Shore Hardness:**  
95A

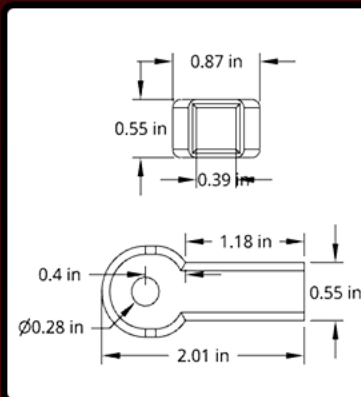


Rod End Boot

PRO-REB



**Outer Dimension:**  
2.01in x 0.87in x 0.55in  
**Inner Dimension:**  
0.39in x 0.39in  
**Requires:**  
1/4in-28 All Thread Rod  
**Material:**  
Tensile Polyurethane  
**Shore Hardness:**  
95A

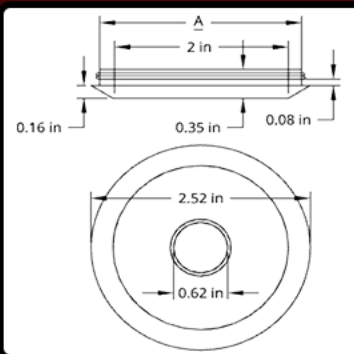


PRO-200BL

Button Light Adapters

PRO-275BL

PRO-300BL



**Outer Dimension:**  
2.53in x 2.53in x 0.35in  
**Variable Dimension "A":**  
2.00in, 2.75in, or 3.00in  
**Requires:**  
Dimension "A"  
Mounting Hole  
**Material:**  
Tensile Polyurethane  
**Shore Hardness:**  
95A



### 4-Way Plug Protector

### PRO-4WP



**Outer Dimension:**

1.08in x 4.06in x 0.63in

**Inner Dimension:**

0.5in x 0.5in

**Requires:**

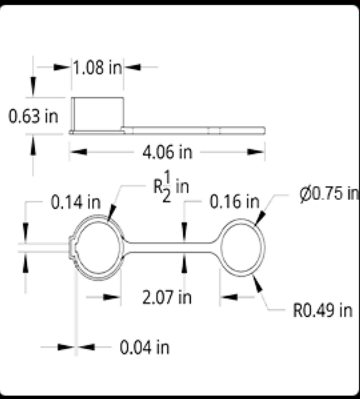
4-way Round Trailer Plug

**Material:**

Tensile Polyurethane

**Shore Hardness:**

95A



### PRO-7WP

### 7-Way Plug Protector



**Outer Dimension:**

1.62in x 6.93in x 0.79in

**Inner Dimension:**

0.75in x 0.75in

**Requires:**

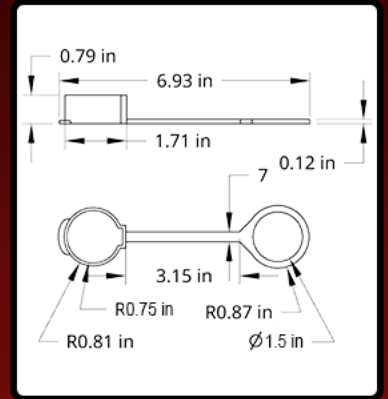
7-way Round Trailer Plug

**Material:**

Tensile Polyurethane

**Shore Hardness:**

95A



### Lug Nut Cover Adapter

### PRO-LNCA



**Outer Dimension:**

1.3in x 1.3in x 1.3in

**Inner Dimension:**

1.05in x 1.05in x 1.05in

**Requires:**

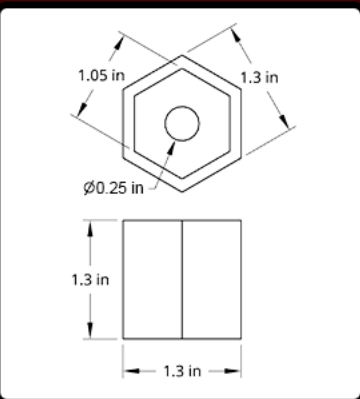
33mm Lug Nut Cover

**Material:**

Tensile Polyurethane

**Shore Hardness:**

95A



### PRO-WTT

### WATT Box



**Outer Dimension:**

12in x 7.5in x 5.0in

**Requires:**

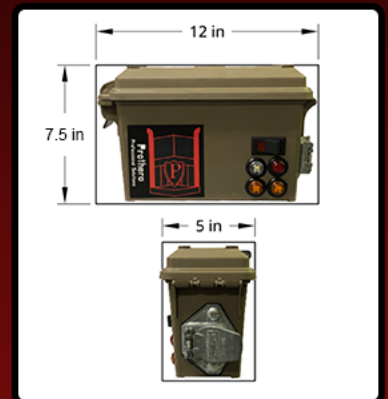
7-way Round Trailer Plug

**Material:**

Tensile Polyurethane

**Shore Hardness:**

95A







Electrical Bulkhead Fitting

PRO-EBF



**Outer Dimension:**

2.07in x 0.75in x 0.71in

**Inner Dimension:**

0.25in x 0.25in

**Requires:**

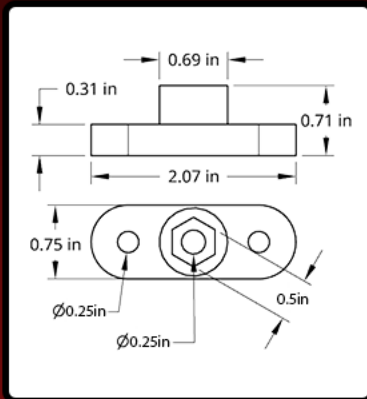
Fits FL

**Material:**

Tensile Polyurethane

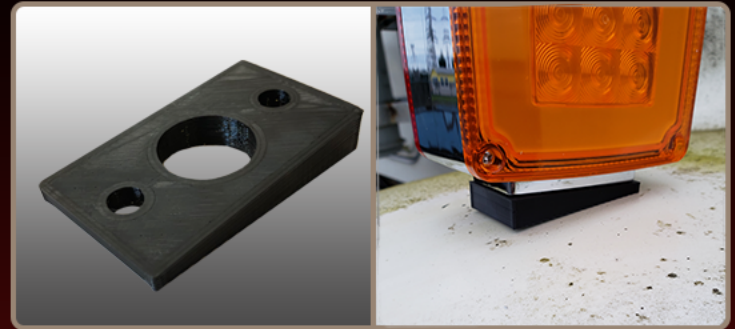
**Shore Hardness:**

95A



PRO-WDG

2 Stud Light Wedge



**Outer Dimension:**

2.76in x 0.51in x 1.61in

**Inner Dimension:**

1.0in x 1.0in

**Requires:**

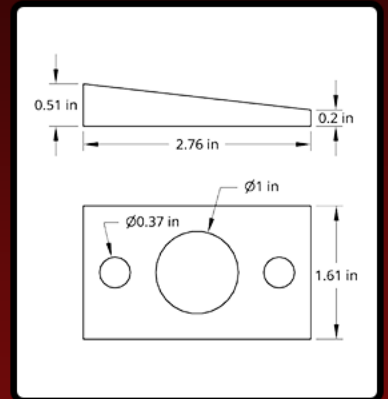
2 Stud Light

**Material:**

Tensile Polyurethane

**Shore Hardness:**

95A



Headlight Bucket Extension

PRO-HLBACK-5.25



**Outer Dimension:**

4.56in x 4.56in x 2.91in

**Inner Dimension:**

4.02in x 4.02in

**Requires:**

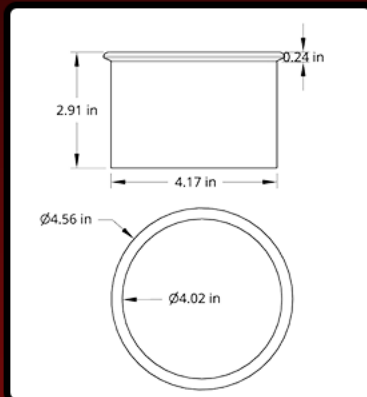
5 3/4in Dual H/L Buckets

**Material:**

Tensile Polyurethane

**Shore Hardness:**

95A



PRO-FRY

Dash Fry



**Outer Dimension:**

2.5in x 0.5in x 0.5in

**Inner Dimension:**

0.2in x 0.2in

**Requires:**

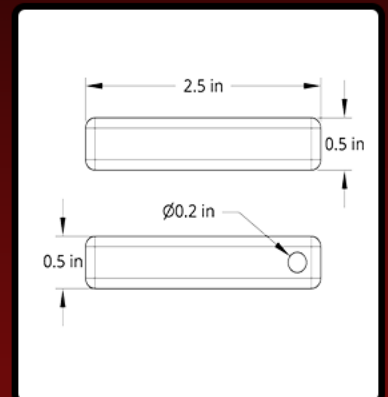
Broken Dash Mounting Hole

**Material:**

Tensile Polyurethane

**Shore Hardness:**

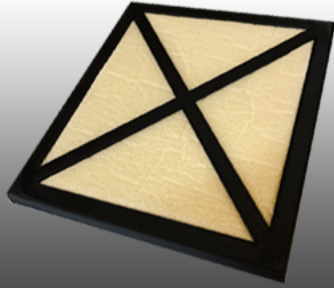
95A





Pete 379 Cabin Air Filter

PRO-7X8CAF



**Outer Dimension:**

8.0in x 7.0in x 0.5in

**Inner Dimension:**

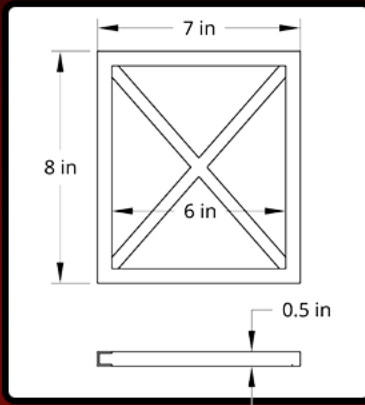
7.75in x 6.75in x 0.25in

**Requires:**

Pete 379 Cabin Filter Slot

**Material:**

ABS



PRO-KW1713

KW Cab Square Stack Mount



**Outer Dimension:**

3.86in x 4.09in x 0.35in

**Hole Dimensions:**

0.31in x 0.31in

**Requires:**

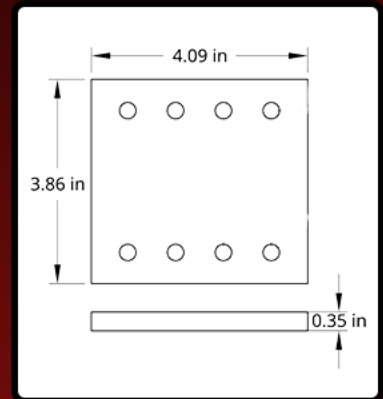
KW W900A

**Material:**

Tensile Polyurethane

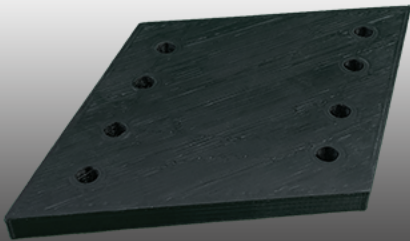
**Shore Hardness:**

95A



KW Cab Diagonal Stack Mount

PRO-KW3684



**Outer Dimension:**

4.2in x 4.09in x 0.35in

**Hole Dimensions:**

0.31in x 0.31in

**Requires:**

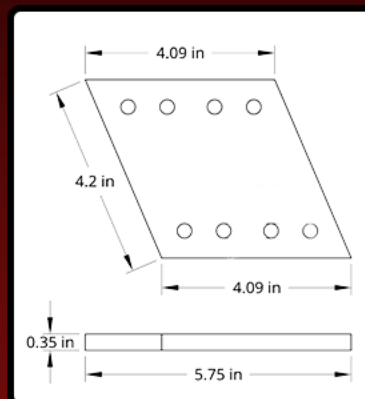
Vintage KW B-Models

**Material:**

Tensile Polyurethane

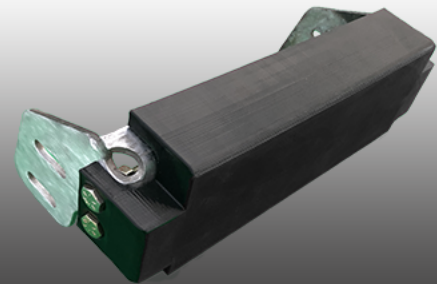
**Shore Hardness:**

95A



PRO-KWHR

KW Cab Hood Rest



**Outer Dimension:**

9.21in x 2.72in x 1.57in

**Hole Dimensions:**

0.125in x 0.125in

**Requires:**

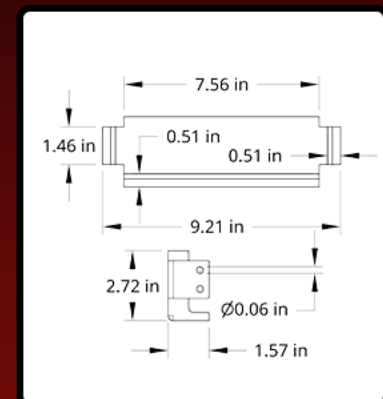
KW T800B, W900L

**Material:**

Tensile Polyurethane

**Shore Hardness:**

95A

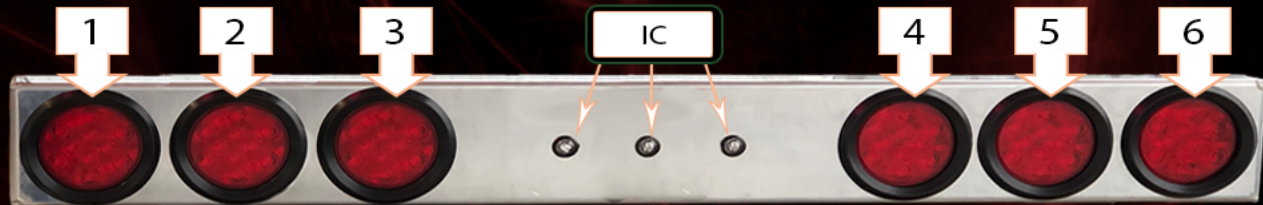






## CLASS 8 WIRE HARNESSES

### MODULAR WIRING SYSTEM



#### TS02.LH

This is for the left side of a 2-light setup. Both light illuminate on turn/brake for trucks. Please specify if you need this setup for a trailer.

OR

#### TS03.LH

This is for the left side of a 3-light setup. All lights illuminate on turn/brake for trucks. Please specify if you need this setup for a trailer.

#### TS02.RH

This is for the right side of a 2-light setup. Both light illuminate on turn/brake for trucks. Please specify if you need this setup for a trailer.

OR

#### TS03.RH

This is for the right side of a 3-light setup. All lights illuminate on turn/brake for trucks. Please specify if you need this setup for a trailer.

#### IC01

This is for inner clearance lights required on trailers wider than 80-inches. Typically the license plate light is attached to this cable.

#### RU01

This is the reverse cable. It comes with a power and ground blunt cut to allow for a variety of back-up light options.

#### CS01

This is the main "breakout" for the lightbar. Fully sealed and "Plug and Play". It is available in various lengths.



## CUSTOM WIRING HARNESSES



## CREATE YOUR OWN

We can build any wiring harness to meet your lighting need. We've built harnesses for the back of dump truck bodies, flat bed pickups, and log truck trailers. When you call, we will want to know what lengths you need. For example, the distance between lights, the distance to the junction box, and which type of light is where on the truck. You can email this information too, if you prefer, to [sales@protheropro.com](mailto:sales@protheropro.com).

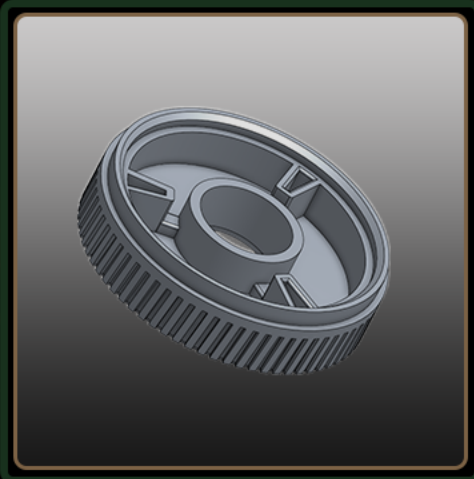
If you need a wiring harness for something other than lighting, we may be able to support your needs as well. Simply call and ask and we will do our best to find a solution that works for you.



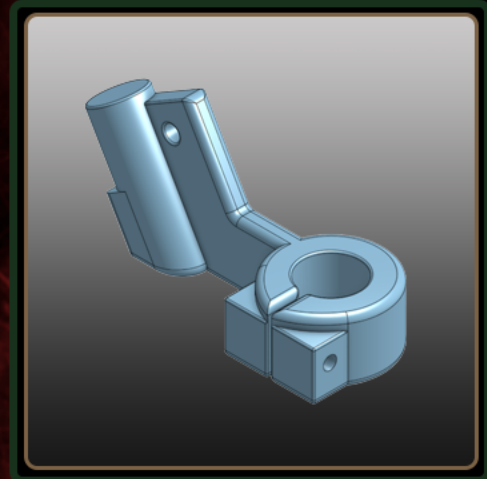


## CUSTOM 3D MODELS AND 3D PRINTS

Mechanical step gear



Power line positioner



Land line phone case

We can 3D print your idea or part need through the use of 3D modeling software and our fleet of 3D printers. We manufacture your parts out of several different materials including our specialty: Heavy Duty Polyurethane (Shore hardness 95). If you already have your design modeled, we can support any format and convert it to a printable piece. If you need help in the design process, we will be more than happy to sign whatever agreement you need so you can get your idea in the form of a product.



## W.A.T.T. BOX

### WIRELESSLY ACTIVATED TRAILER TESTER



FOR TECHNICAL  
INFO GO TO: PG.7

### WHAT IS IT USED FOR?

The W.A.T.T. Box is an all in one trailer light testing solution. It allows for quick verification and diagnosis of your trailer's light and circuit functionality.

### W.A.T.T. BOX BENEFITS

- Eliminates the need for a "Two Man" light verification.
- Physically illuminates each light to verify light functionality.
- Integrated circuit protection using industry standard ATC25 fuses.
- Rugged design will handle the abuse of the class 8 industry.
- Powered by included glass mat (AGM) battery.
- Integrated battery isolation rocker switch to prolong circuit board and battery life.
- Fully wireless design allows for a single operator to quickly and efficiently test and diagnose the trailer.



PRO-WTT





## 6 INCH OVAL LED ADAPTER

FOR TECHNICAL INFO  
GO TO: PG.5



### WHAT IS IT USED FOR?

-The PRO-6LED is a custom designed gasket that allows for a safer and more reliable mounting option for rear facing spot/backup lights.



### 6 INCH OVAL LED ADAPTER BENEFITS

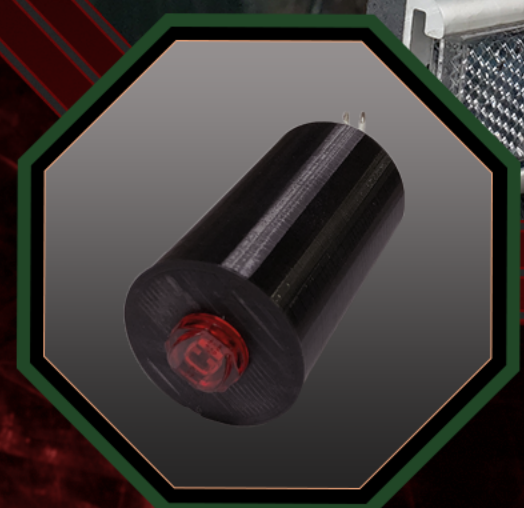
- Eliminates unreliable stud mount constraints.
- High Impact Polyurethane Gasket will last a lifetime.
- Allows LED Spotlight to be mounted Safely in a standard 6in oval Cutout.
- Custom design prevents "Over-Seating" of the light by using a rear stop.

**PRO-6LED**



## MUD SLUGG

FOR TECHNICAL INFO  
GO TO: PG.6



### WHAT IS IT USED FOR?

The Mud Slugg is a reinforcing light adapter for spring loaded mud flap hangers. This lifetime warranted product is meant to slow wear while illuminating the surrounding area.

### MUD SLUGG BENEFITS

- Eliminates the risk of broken lights due to clearance.
- Solid polyurethane structure provides strength where you need it.
- Slug design strengthens the end of the mud flap hanger from collapse due to dropped logs and debris.
- Single 3/4in LED or Three 3/4in LED operation.

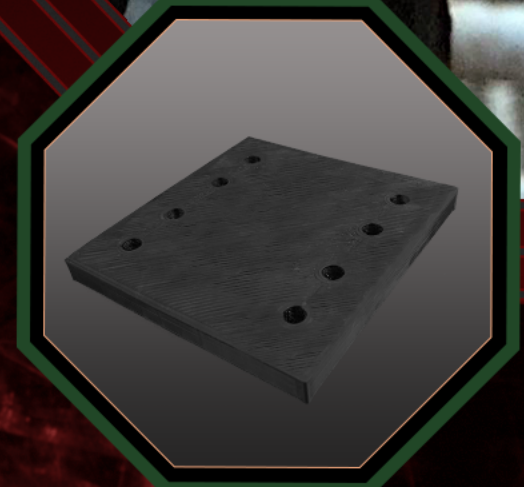
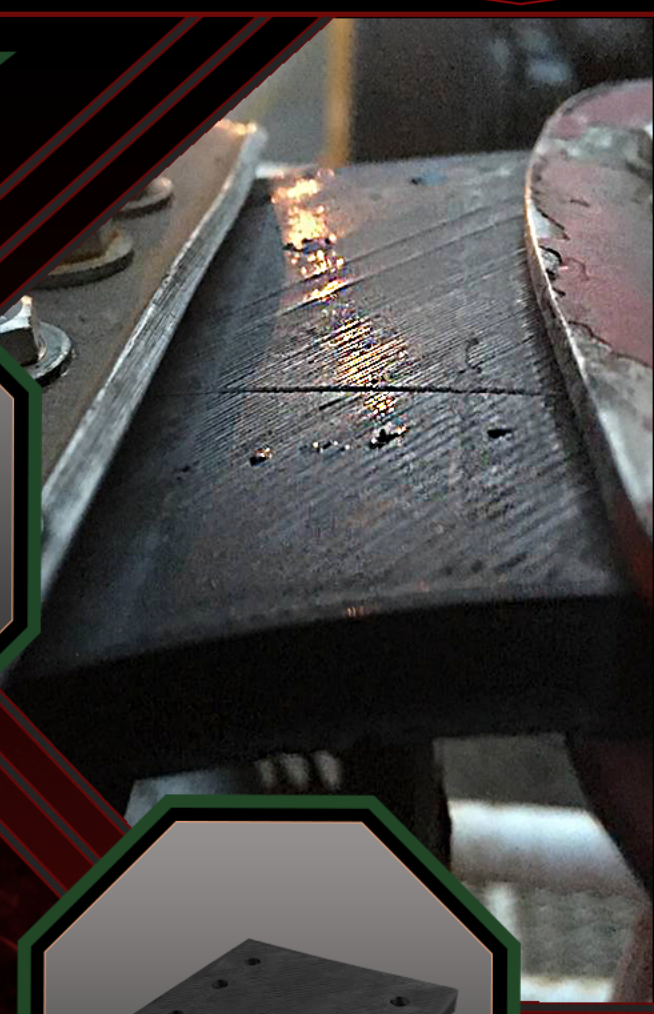
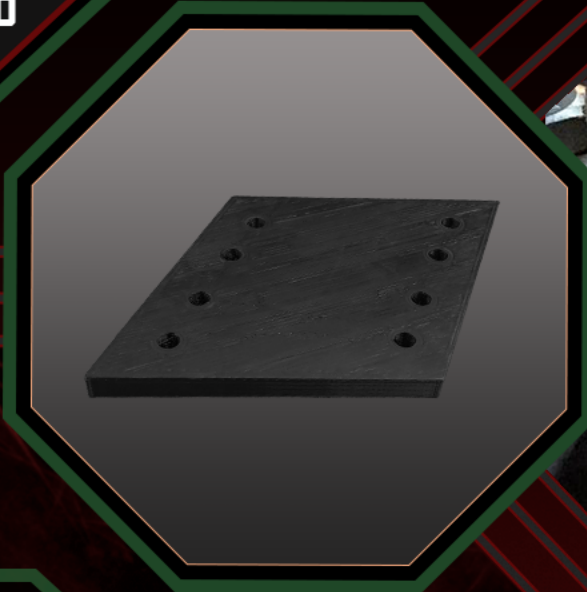
**PRO-MUD**





## KW EXHAUST MOUNT BRACKETS

FOR TECHNICAL INFO  
GO TO: PG.9



### WHAT IS IT USED FOR?

The KW Exhaust Mount Bracket is a replacement for the flexible fiber piece that attached the exhaust stack clamp to the cab bracket on the older A and B model Kenworths.

### KW EXHAUST MOUNTING BRACKET BENEFITS

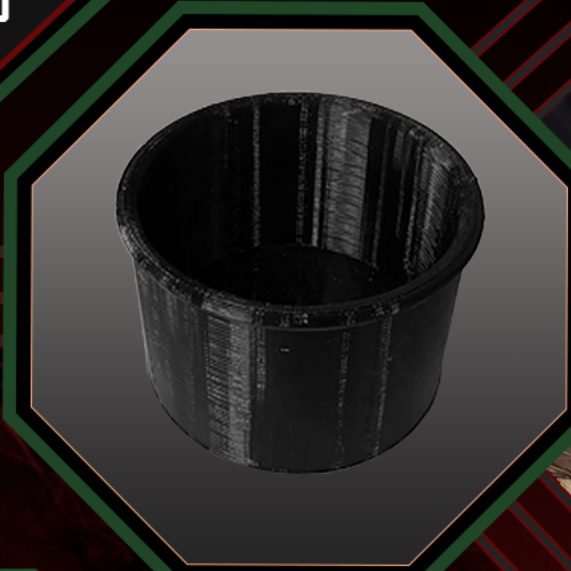
- Polyurethane design extends the life of the fiber ten-fold.
- Fully paintable, or can be special ordered in select colors.
- Maintains usage of OEM brackets.
- Maintains enough flexibility to not break the exhaust mounting system

**PRO-KW3684 PRO-KW1713**



## HEADLIGHT BUCKET EXTENSIONS

FOR TECHNICAL INFO  
GO TO: PG.8



### WHAT IS IT USED FOR?

The HeadLight Bucket Extension is an extension for standard 5.75in round headlight buckets. This allows for use of extended LED headlights, without compromising the functionality of the OEM housings.



### HEADLIGHT BUCKET EXTENSION BENEFITS

- Polyurethane design allows housing to take a hit from rocks and debris.
- Fully paintable.
- Maintains OEM design for aiming aftermarket LED headlights.
- Designed with United Pacific's DOT approved LED headlights in mind.

**PRO-HLBACK-5.25**





## INDEX

<b>PRO-LPH</b>	<b>PG.4</b>
<b>PRO-LPH-S</b>	<b>PG.4</b>
<b>PRO-LPH-SM</b>	<b>PG.4</b>
<b>PRO-ZIP</b>	<b>PG.4</b>
<b>PRO-4LED</b>	<b>PG.5</b>
<b>PRO-6LED</b>	<b>PG.5</b>
<b>PRO-CBC</b>	<b>PG.5</b>
<b>PRO-RSA</b>	<b>PG.5</b>
<b>PRO-MUD</b>	<b>PG.6</b>
<b>PRO-MUD-P</b>	<b>PG.6</b>
<b>PRO-REB</b>	<b>PG.6</b>
<b>PRO-200BL</b>	<b>PG.6</b>
<b>PRO-275BL</b>	<b>PG.6</b>
<b>PRO-300BL</b>	<b>PG.6</b>
<b>PRO-4WP</b>	<b>PG.7</b>
<b>PRO-7WP</b>	<b>PG.7</b>
<b>PRO-LNCA</b>	<b>PG.7</b>
<b>PRO-WTT</b>	<b>PG.7</b>
<b>PRO-EBF</b>	<b>PG.8</b>
<b>PRO-WDG</b>	<b>PG.8</b>
<b>PRO-HLBACH-5.25</b>	<b>PG.8</b>
<b>PRO-FRY</b>	<b>PG.8</b>
<b>PRO-7X8CAF</b>	<b>PG.9</b>
<b>PRO-KW1713</b>	<b>PG.9</b>
<b>PRO-KW3684</b>	<b>PG.9</b>
<b>PRO-KWHR</b>	<b>PG.9</b>
<b>C8WH-T502.LH</b>	<b>PG.10</b>
<b>C8WH-T502.RH</b>	<b>PG.10</b>
<b>C8WH-T503.LH</b>	<b>PG.10</b>
<b>C8WH-T503.RH</b>	<b>PG.10</b>
<b>C8WH-IC01</b>	<b>PG.10</b>
<b>C8WH-RV01</b>	<b>PG.10</b>
<b>C8WH-CS01</b>	<b>PG.10</b>



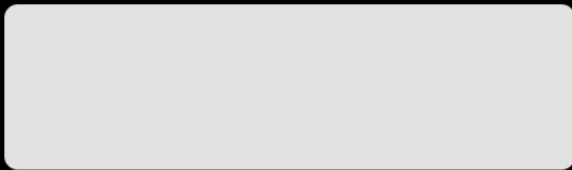




[www.ProtheroProfessionalSolutions.com](http://www.ProtheroProfessionalSolutions.com)



**DISTRIBUTED BY:**



**Prothero Professional Solutions LLC  
269 Hamilton Rd. N  
Chehalis WA 98531  
(360)748-0086**